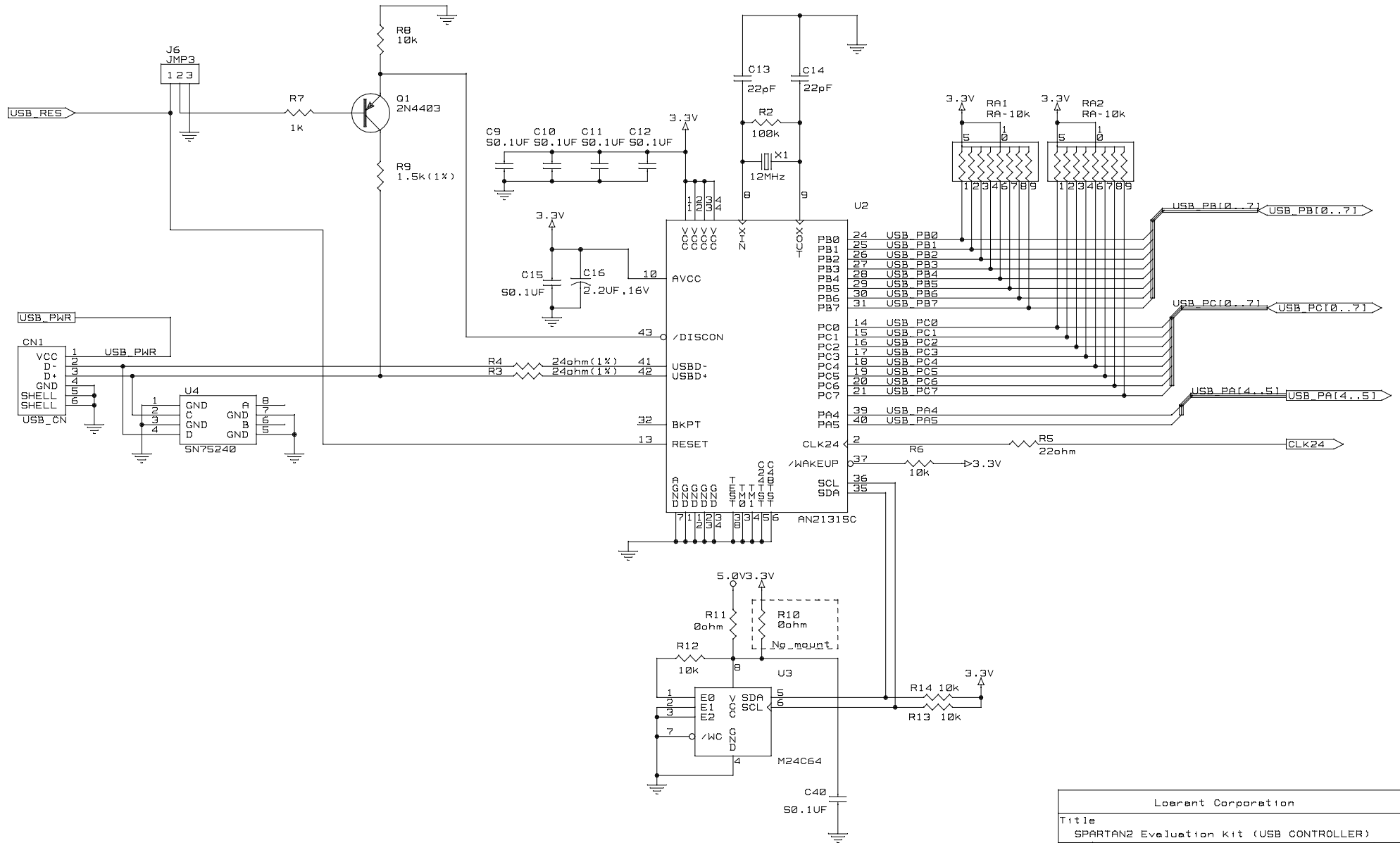
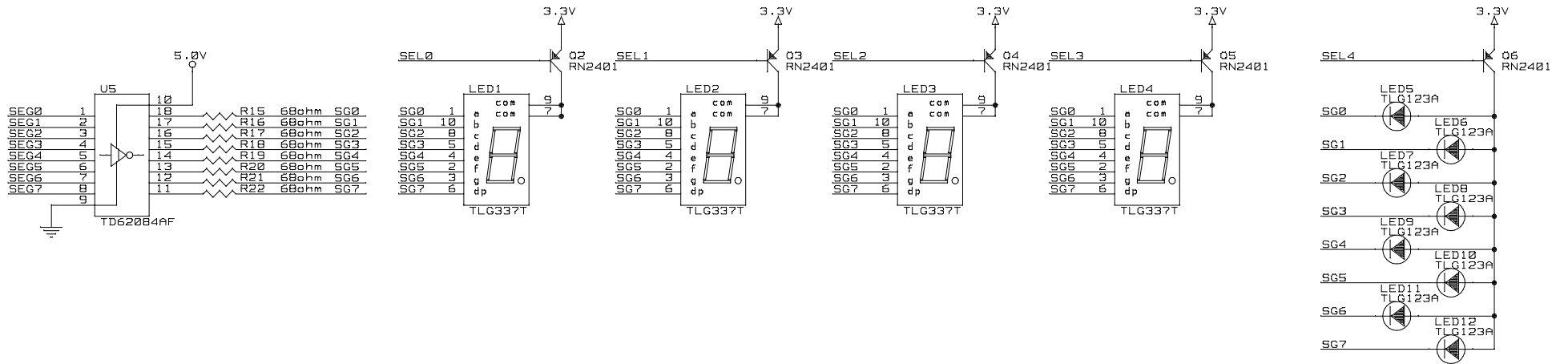


LOARANT Corporation			
Title			
SPARTAN2 Evaluation Kit			
Size	Document Number	REV	
B	SP2-150-001	B	
Date:	November 7, 2001	Sheet	1 of 5

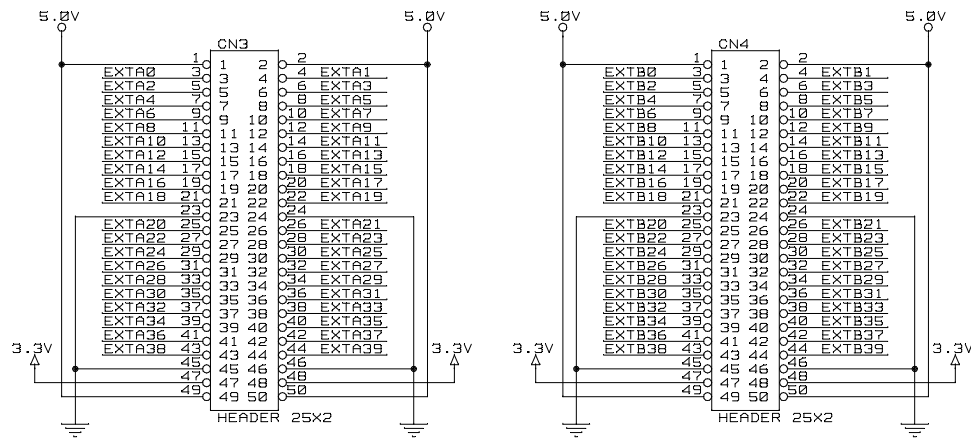


Lorant Corporation			
Title SPARTAN2 Evaluation Kit (USB CONTROLLER)			
Size	Document Number		REV
B	SP2-150-001		B
Date:	November 7, 2001	Sheet	2 of 5

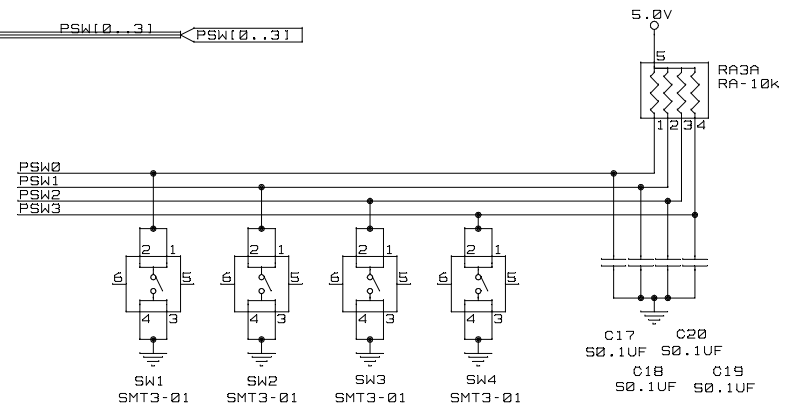
SEG[0..7] → SEG[0..7]  
SEL[0..4] → SEL[0..4]



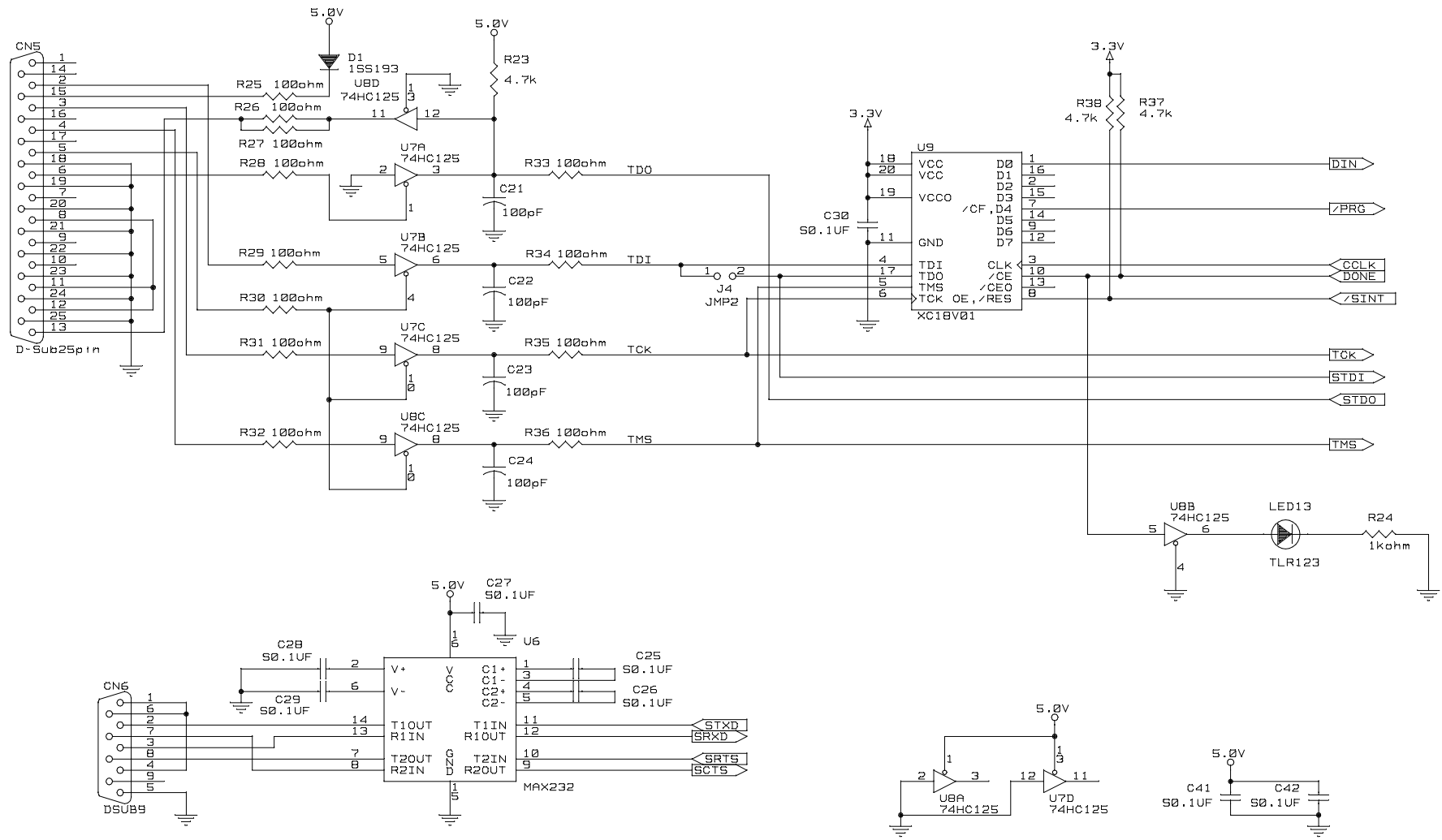
EXTA[0..39] → EXTA[0..39]  
EXTB[0..39] → EXTB[0..39]

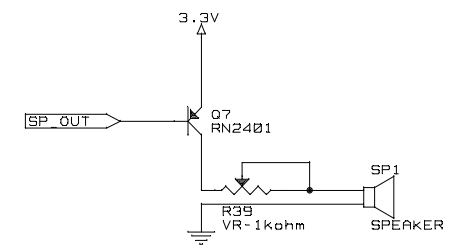
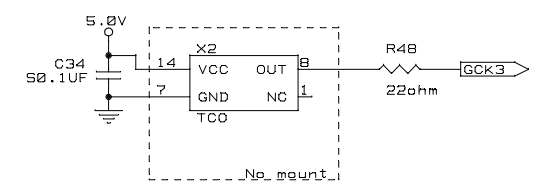
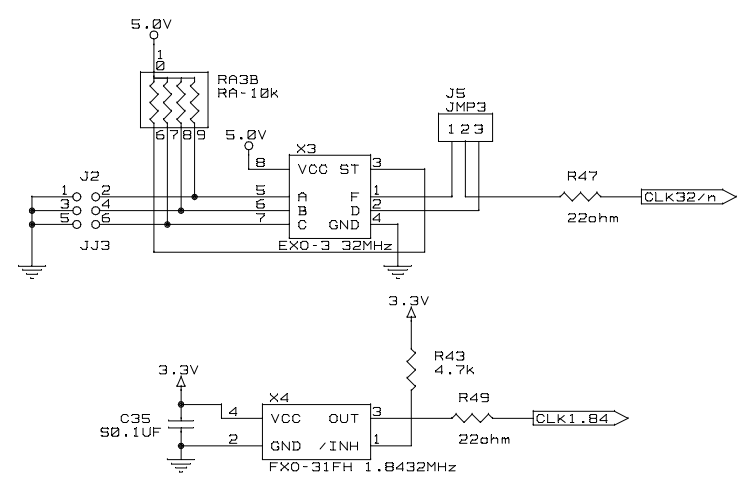
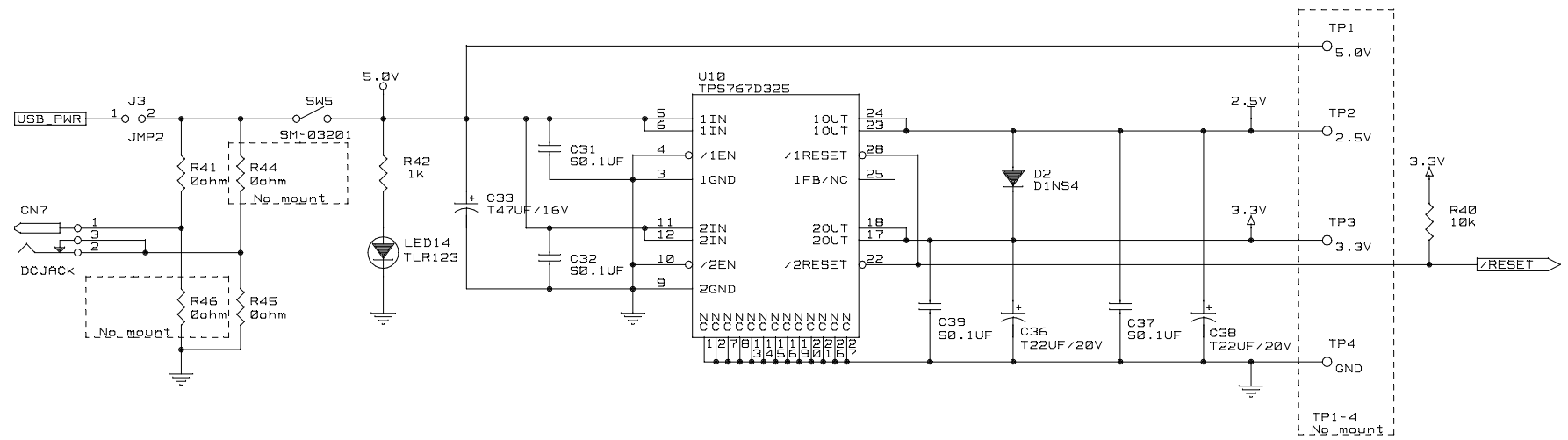


PSW[0..3] → PSW[0..3]



Loarant Corporation		
Title SPARTAN2 Evaluation Kit (LED & SW)		
Size	Document Number	REV
B	SP2-150-001	B
Date:	November 7, 2001	Sheet 3 of 5





Loarant Corporation			
Title SPARTAN2 Evaluation Kit (POWER BLOCK)			
Size	Document Number	REV	
B	SP2-150-001	B	
Date: November 7, 2001 Sheet 5 of 5			