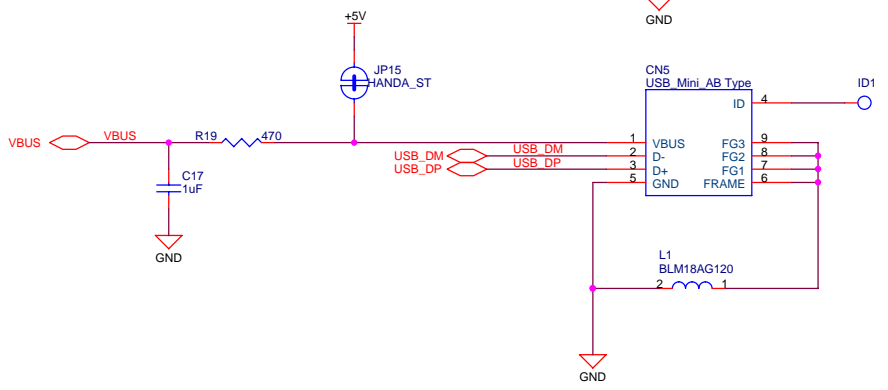
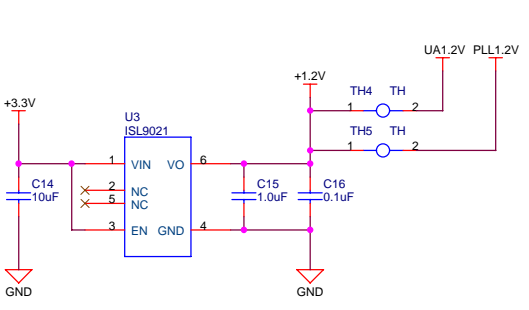
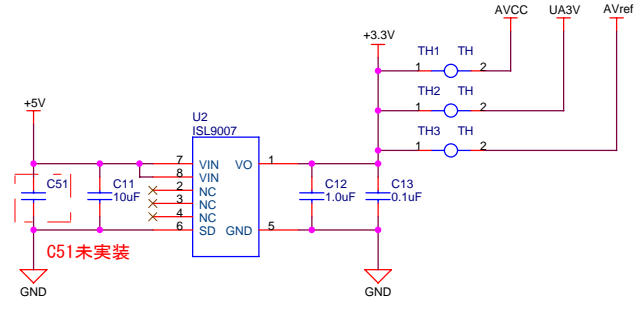
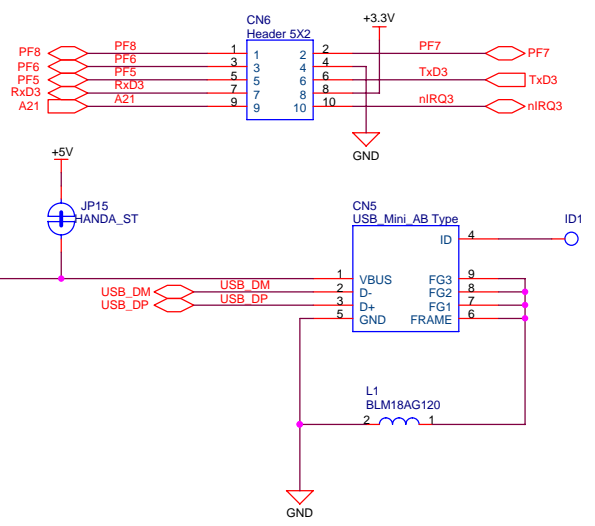
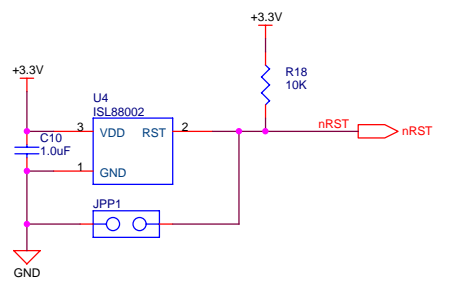
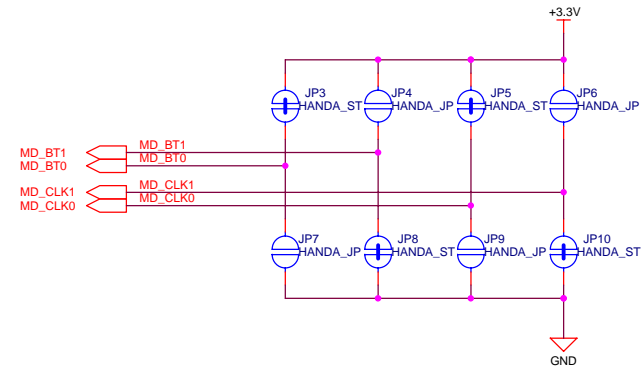
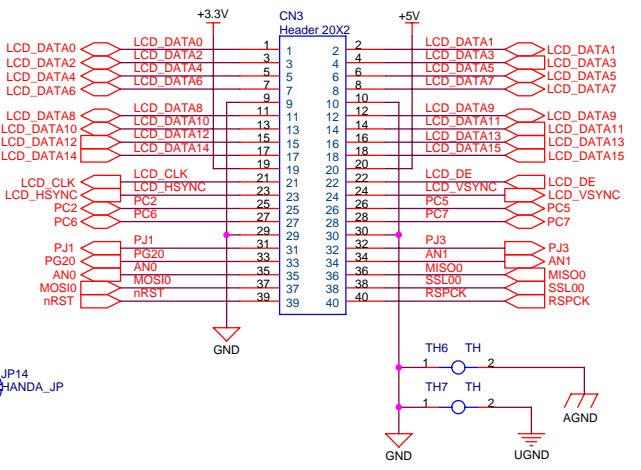
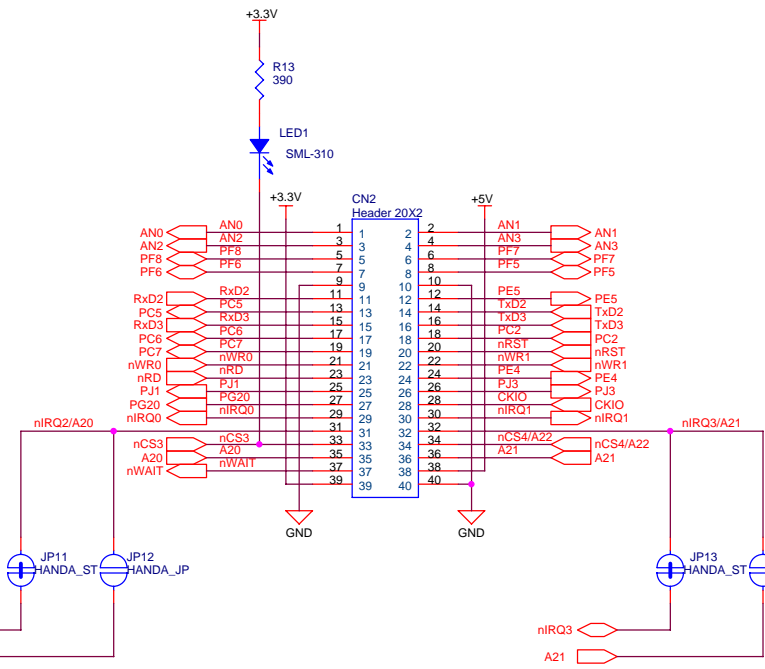
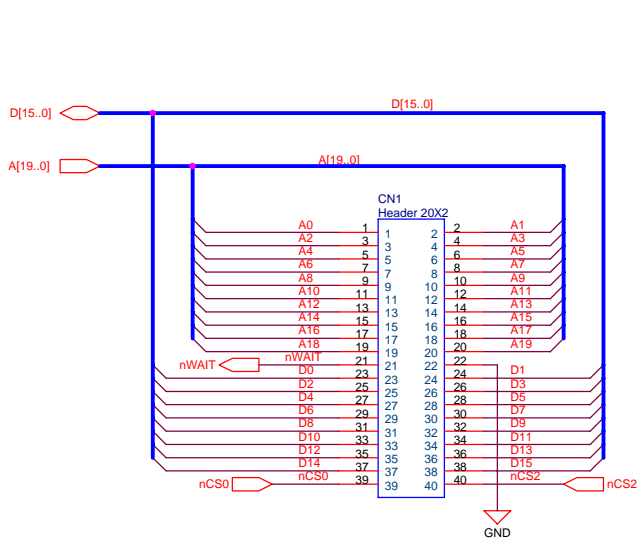


Title		
SH_BOARD		
Size	Document Number	Rev
A3	<Doc>	0
Date:	Tuesday, March 23, 2010	Sheet 1 of 2



Title			SH_BOARD
Size	A3	Document Number	<Doc>
Date:	Tuesday, March 23, 2010	Sheet	2 of 2
		Rev	0