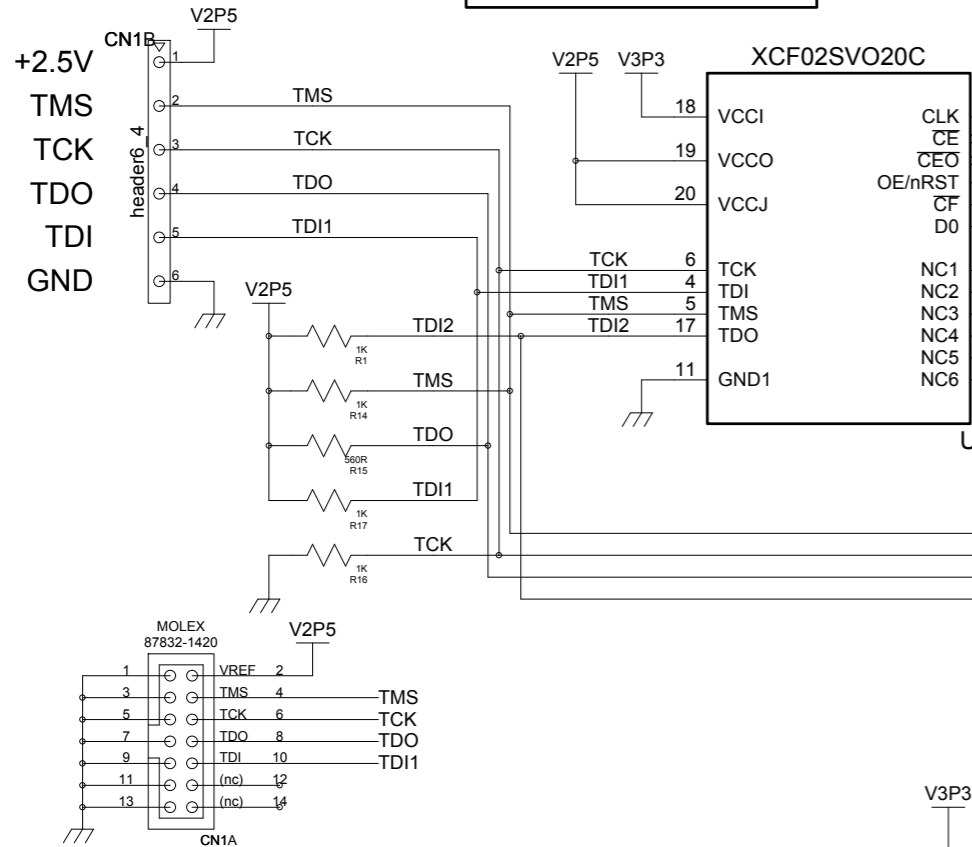


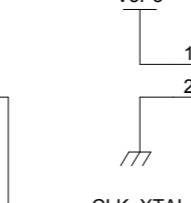
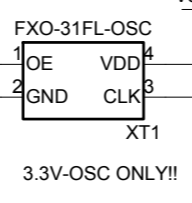
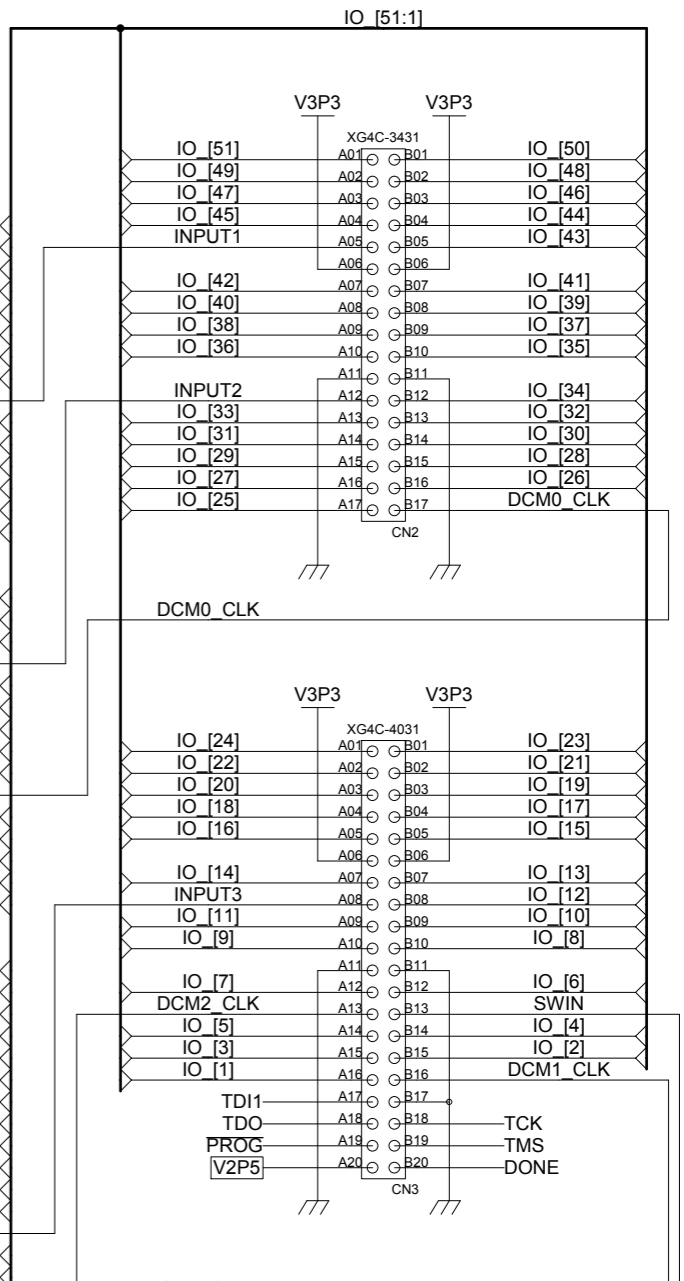
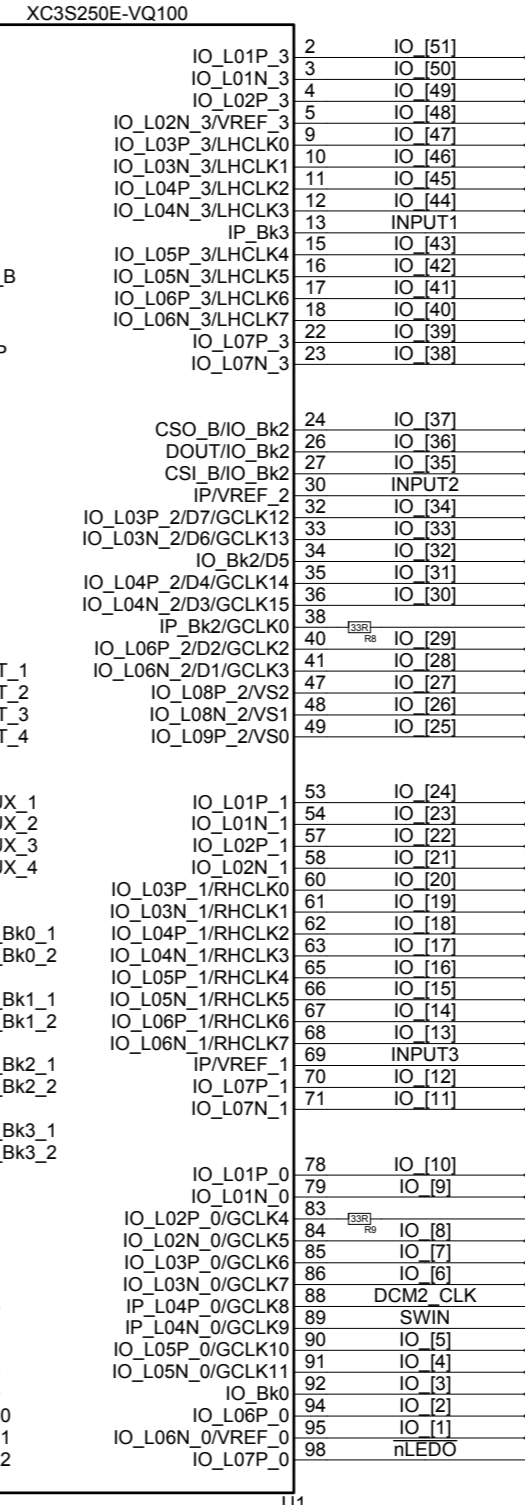
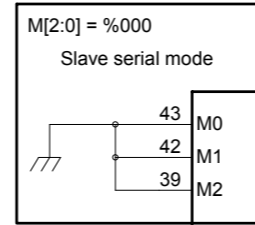
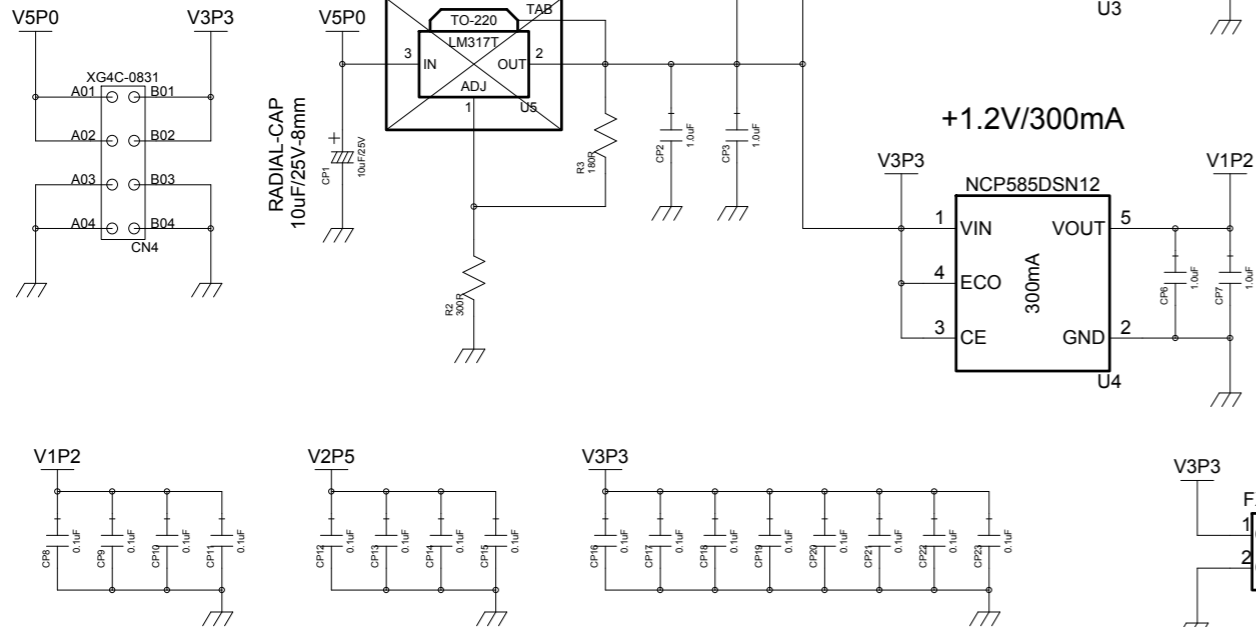
FRK-SP3E-Rev1.0

XILINX - XC3S250E-VQ100 Evaluation

JTAG CONNECTOR



POWER CONNECTOR



Designer: Masami IKURA	
Check:	File: SP3E_REV1P1 sch Rev.
Date: 2007/05/09	Page: 1 of 1
Time: 22:29:36	CE&CEa
Design: SP3E_REV1P1	Sheet 1 of 1