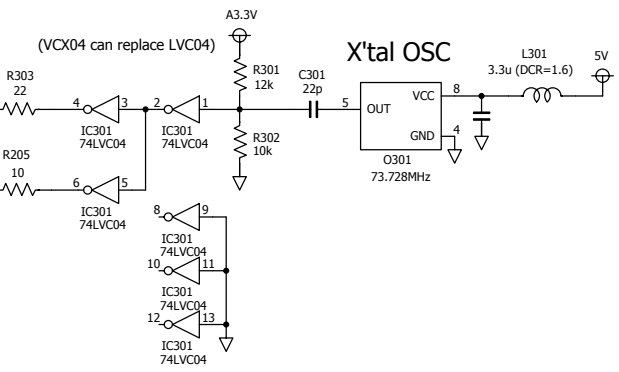


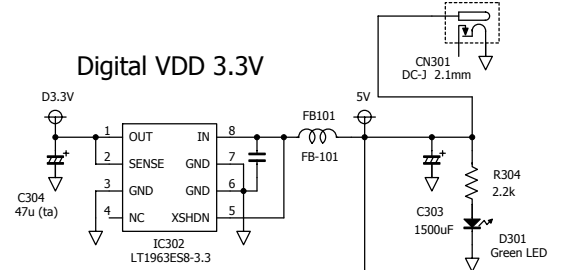
# FPGA FM TUNER

## Clock Driver (73.728MHz)

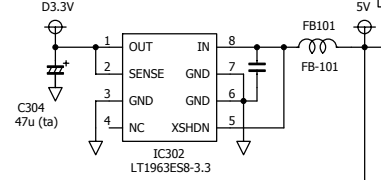


## X'tal OSC

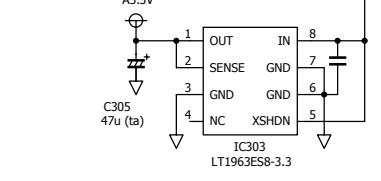
## DC supply IN (5.0V 450mA)



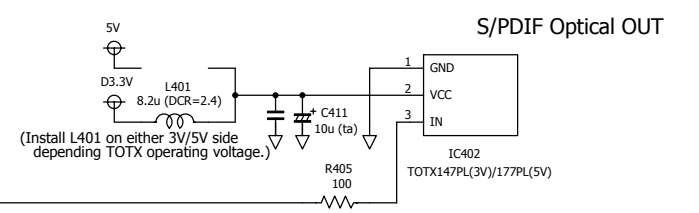
## Digital VDD 3.3V



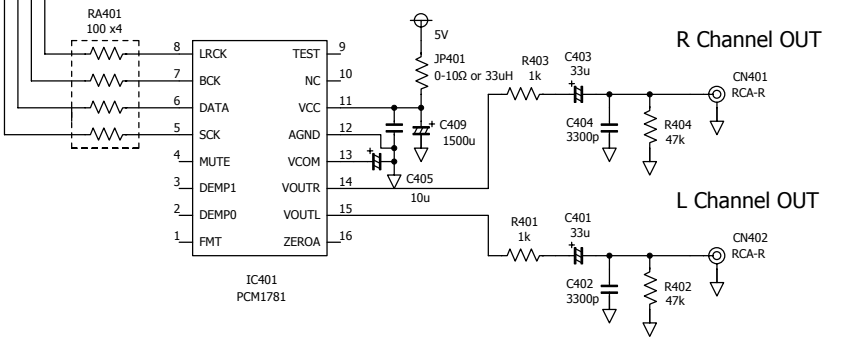
## Analog VDD 3.3V



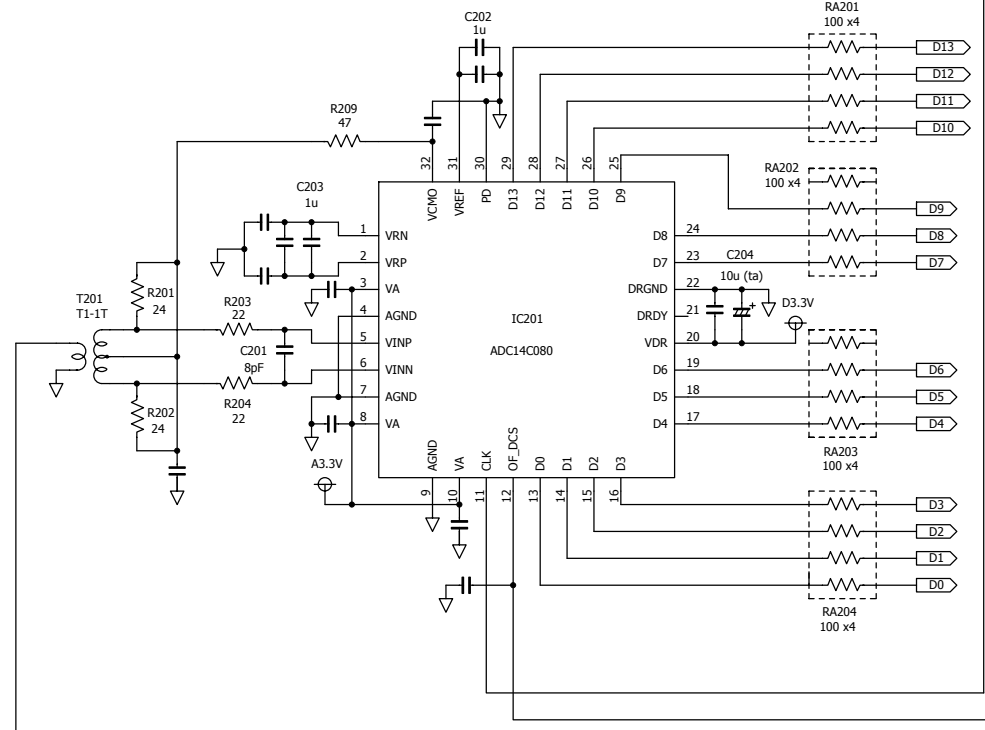
## S/PDIF Optical TX (20bit, 48/96kbps)



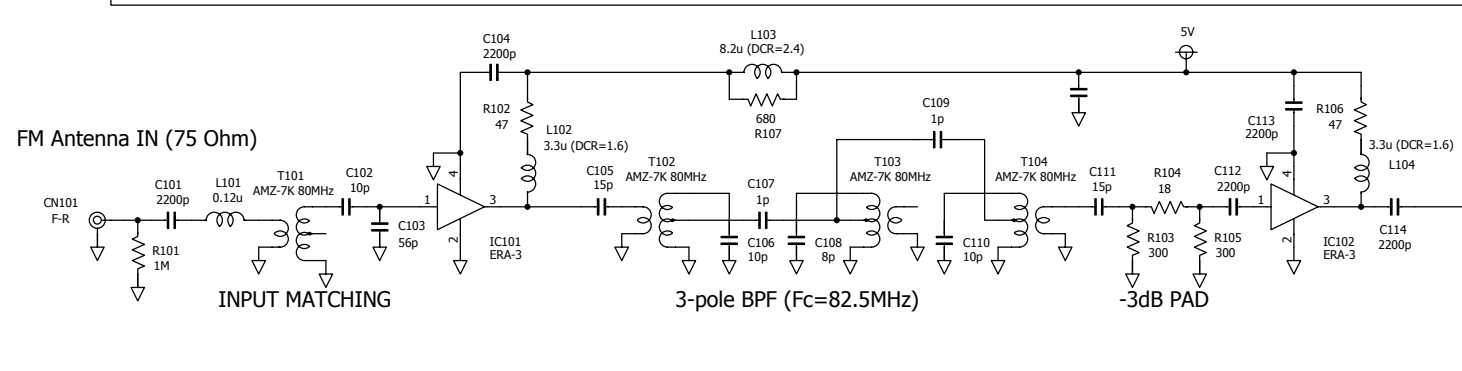
## Audio D-A Converter (operating@ 20bit, 96/192kHz)



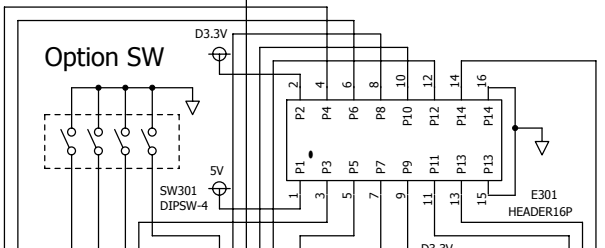
## A-D Converter (14bit, 73.728MHz)



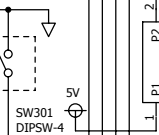
## Pre-Amplifier (Gain=36dB)



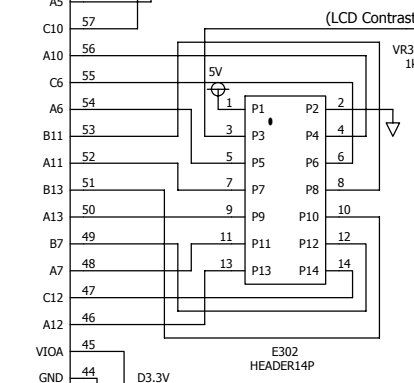
## AUX Connector #1



## Option SW

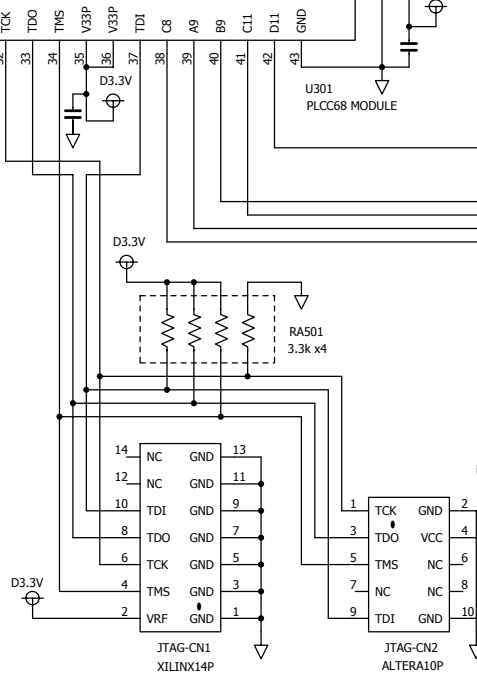


## AUX Connector #2 (for LCD Panel)



AP68-03 XP68-01  
 AP68-04 XP68-03  
 PLCC68 FPGA MODULE  
 (HuMANDATA)

## JTAG Programming Connectors



Caps w/o value = 100n, 1608, X7R